

display werks

quality and innovation in LCD integration

4050 Series LCD Touch Screen Monitor

Large Format Interactive LCD

Display Werks Part #4050-TU-400DX2-4D, Part#4050-TU-400DXn2-4D

- 40" LCD Touch Screen.
- Authorized Integrator of the 3M™ DST (Dispersive Signal Technology) Touch System.
- Advanced Panel Cooling Allows Continuous Usage up to 24 Hours a day 7 days a week.
- Low Power Consumption.
- Thin 20mm Bezel Design.
- USA Service and Technical Support.
- 1920 x 1080 High Definition.
- Touch Screen Integrated within Factory Enclosure.
- 3 Year Warranty (Monitor).
- 3 Year Warranty (Sensor and Controller).



LCD Monitor Model: Samsung 400DX-2, 400DXn-2

For additional "N" version information please see Samsung specifications.

LCD Element: 40" LCD

Max. Resolution: (pixels) 1920 x 1080

Pixel pitch: 0.648mm (H) x 0.648 (V)

Display Response Time: 8 ms

Viewing Angle: 178° right/left/up/down

Screen active area: inch (mm) 34.81 x 19.56 (884.2 x 496.8)

Contrast Ratio: 3000:1

Dynamic Contrast: 10,000:1

Brightness: 700 cd/m²

Power Supply: AC 100-240V 50/60 Hz

Power Consumption: 270W / Standby 2W

Operating Temperature: 32°F to 104°F

Operating Humidity: 10% to 80%

Built in Fan: Yes

Speakers: Built in 10 W x 2

Dimensions: inch (mm) Approx. 36.7 x 21.6 x 5.37 (932.2 x 548.6 x 136.3) with Touch Sensor Integrated.

Weight lbs.: (kg) Approx. 58.6 lbs (26.5) with integrated Touch Sensor Installed.

3M and MicroTouch are trademarks of the 3M Company



Display Werks is a Samsung authorized integrator.



Display Werks is an authorized 3M™ DST System Integrator.

Input Terminals		Output Terminals	
DVI	24 pin	RGB	Mini D-sub 15 pin
RGB	Mini D Sub 15Pin x 1	Composite Video / Audio	RCA Phone x3
Component	BNC x 5	Serial RS232C	Mini D Sub 15Pin x 1
HDMI	HDMI connector	<p>Quality and Innovation in LCD Integration.™</p>	
S-Video	4 pin mini-DIN		
Serial RS232C	Mini D Sub 15Pin x 1		
Component	RCA Phone x 3		
Audio line in	RCA Phone x2		
Composite Video / Audio	RCA Phone x3		

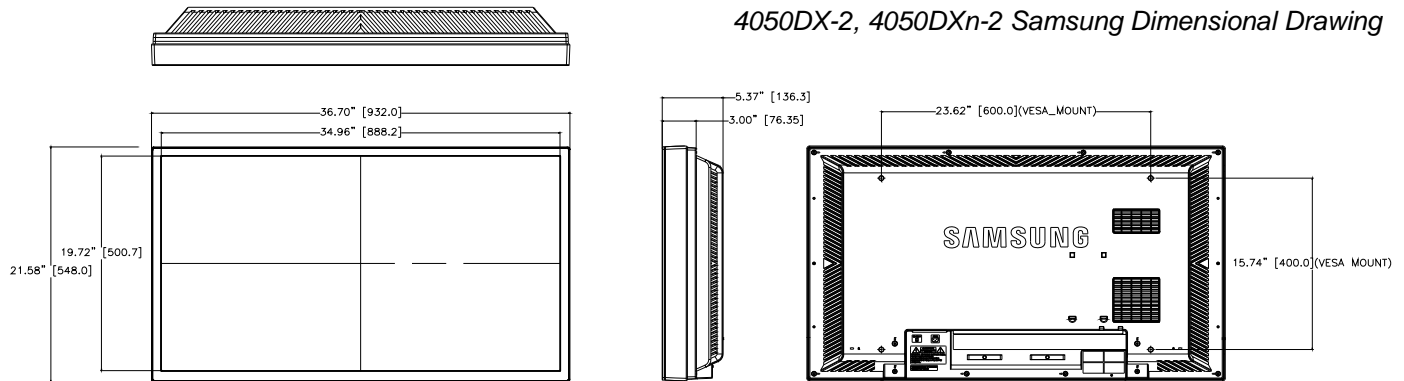
display werks

quality and innovation in LCD integration

4050 Series LCD Touch Screen Monitor

Large Format Interactive LCD

Display Werks Part #4050-TU-400DX2-4D, Part#4050-TU-400DXn2-4D



3M™ DST (Dispersive Signal Technology) Touch Screen Specifications:

- **Total additional weight to monitor:** 5.5 lbs.
- **Construction:** Glass chemically-strengthened anti-glare substrate.
- **Input Method:** Finger and stylus input.
- **Positional Accuracy:** Reported coordinates are within 1.0% of true position (based on viewing area dimensions)
- **Light Transmission:** Up to 92%.
- **Operating Temperature:** -15°C to 90°C
- **Minimum Touch Impact:** 50 mN.s (milli-newton seconds), the equivalent of a very light touch.
- **Response Time:** 20 ms for tap input.
- **Expected Life Performance:** No known wear-out mechanism, as there are no layers, coating, or moving parts.
- **Total Additional Depth to Samsung 400DX-2 and 400DXn-2:** 1/4"
- **Surface Obstructions:** Withstands surface contaminants such as dirt, dust and grime

Touch screen Controller Specifications:

- **Interface:** USB or RS232 Serial (specify when ordering).
- **Maximum Single USB Cable Length:** 5m (16.4 ft)

Note: When using USB over distances of 5m, a USB extension system can be used.

Note: Power for the LCD monitor itself requires a connection to a 110 VAC receptacle. In addition, the Samsung 4050DX-2 and 4050DXn-2 series DST touch screen monitors require an external power supply to drive the integrated touch screen controller. This small form factor 110 VAC to 5Vdc power supply is included with every Samsung 4050DX-2 and 4050DXn-2 series DST touch screen monitor.

Sam 4050 DX-2 Rev 2 DST

display werks